

Automatic Transfer Switch (ATS)



2U 19" Rack Mount Multi Switch

MSW
16 A
Single phase

SiEL
Energy Systems

Operating principle

MSW ATS provides eight 10 A IEC Outputs with two input power lines (two mains inputs, or two UPS).

MSW ATS is able to connect to either of the two input power lines, whilst simultaneously monitoring the power uptake.

Protection against load faults

If one of the loads fails (e.g. short circuit), MSW ATS disconnects the socket where the load is connected, thus preventing other loads from being switched off (i.e. in the event of poor selectivity of the protection devices).

Protection against power supply faults

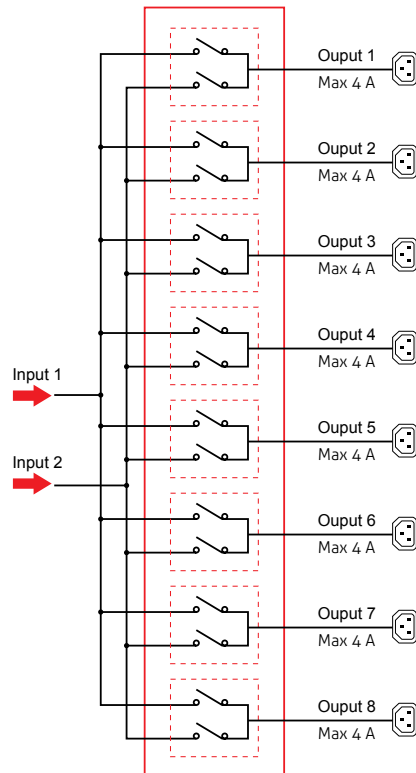
If one of the two power sources falls outside tolerance levels, MTS ATS will transfer the consumers to the second power source (switching is instantaneous if the two sources are in phase).

Options

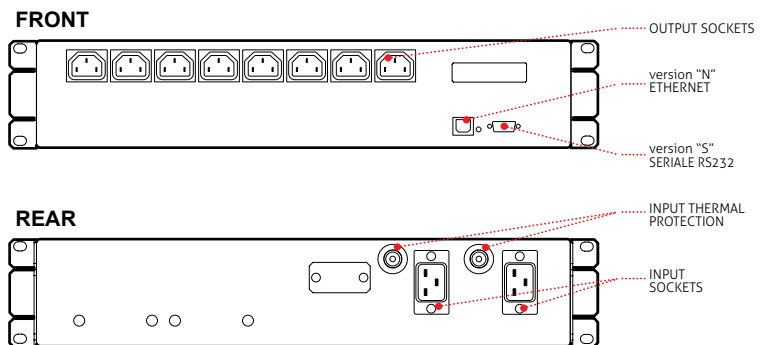
Software
PowerNetGuard
Accessories
NETMAN 102 PLUS - N VERSION ONLY

Technical data

Model	MSW
INPUT	
Nominal voltage (Vac):	230, single phase (source A & B)
Input voltage tolerance (Vac):	180 - 276
Nominal frequency (Hz):	50 - 60
Frequency range (Hz):	47 - 63
Max. Load for each input (A)	16
Input sockets:	2 IEC-320 C20 (16A)
OUTPUT	
Nominal voltage (Vac):	As input
Max. Load for each output (A):	4
Protection:	Overcurrent - overvoltage - undervoltage - protection against energy back-feed
COMMUNICATION	
	MSW - S version RS232 MSW - N version Ethernet port
ENVIRONMENTAL	
Max operating ambient (°C):	0 / +40
Storage (°C):	-10 / +70
Relative humidity (%):	95 (non condensing)
Altitude (metres ASL)	3000
PHYSICAL	
Dimensions mm (W x D x H):	19" x 360 x 2U
Weight (kgs):	10



MSW (2 inputs - 8 outputs)



Publication:MSW/ATS/0215/R0



SIEL Energy Systems Ltd

SIEL House,
Unit E, Draycott Business Park
Cam, Gloucestershire. GL11 5DQ

www.sielenergy.co.uk
email:enquiries@sielenergy.co.uk

Telephone: 0845 130
6118



The Company's policy is one of continuous development and we reserve the right to alter or amend specifications without